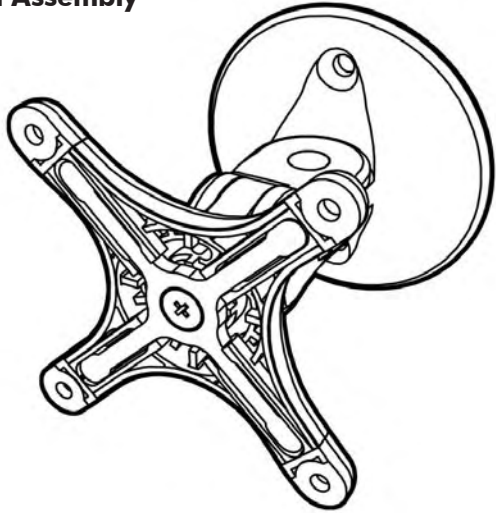


Installation Instructions

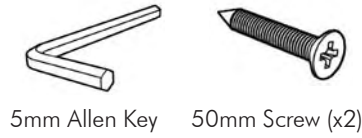
Component Checklist

IMPORTANT: Ensure you have received all parts against the component checklist prior to installing.

Wall Direct Assembly



Bits Bag



Mounting Fasteners



Visidec Focus Wall Direct supports a maximum weight of 8kgs (17.5lbs)

TOOLS REQUIRED:

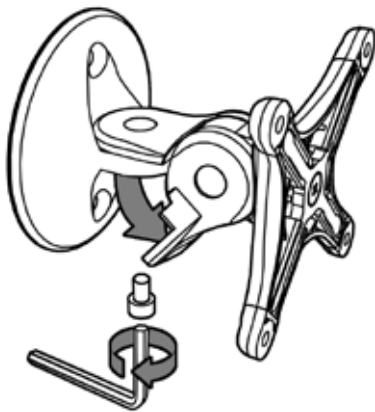
- Power Drill
- 5.5mm (1/4") Drill Bit
- 8mm (5/16") Drill Bit
- Phillips Head Screwdriver

NOTE: This product is designed to support a flat panel monitor in a noninteractive environment. i.e. It should not be used in a situation where the display's position will be frequently changed.

A Disassemble

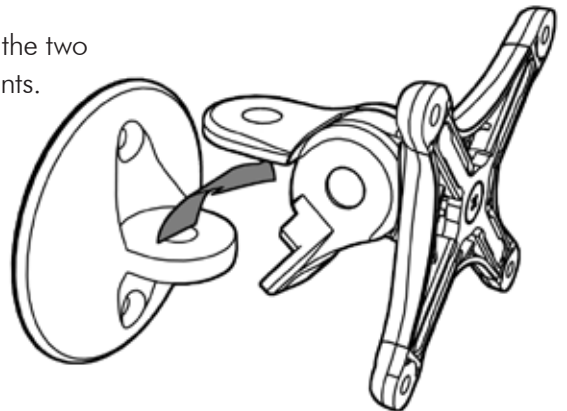
Step 1

Using the supplied Allen Key, remove the bottom screw.



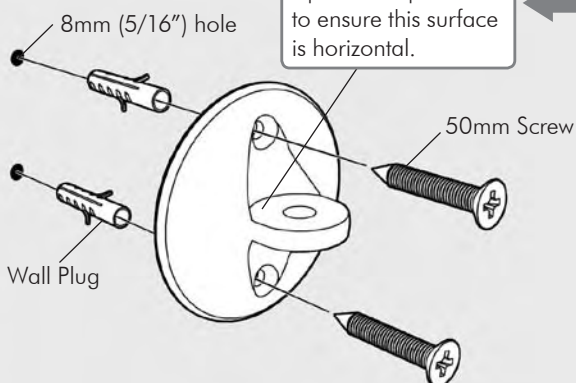
Step 2

Separate the two components.



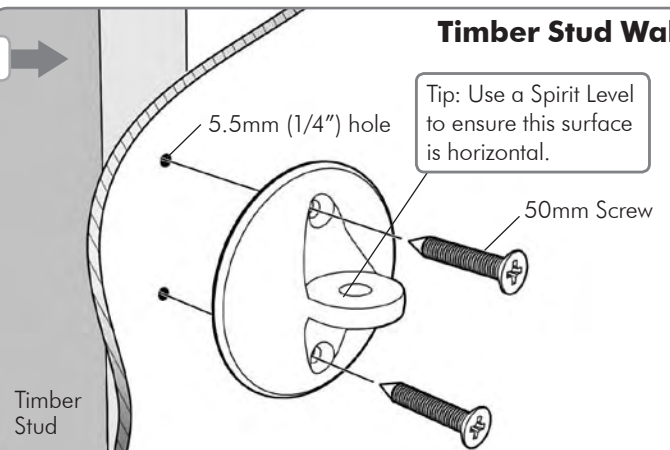
B Attach Base to Wall

Masonry Wall

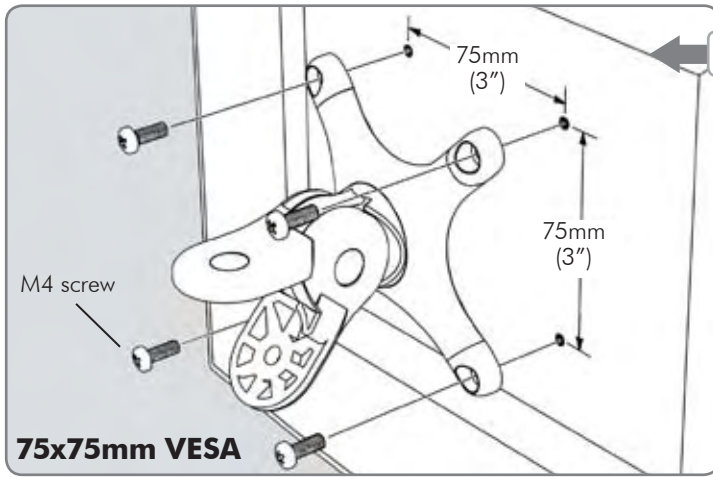


OR

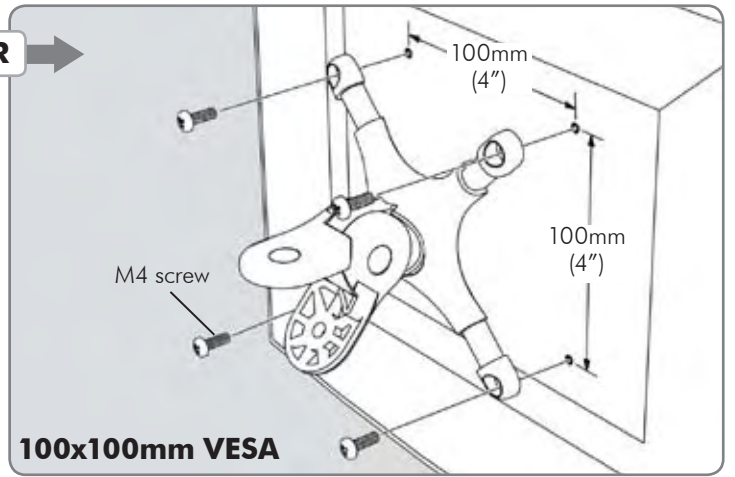
Timber Stud Wall



D Attach Head to Display



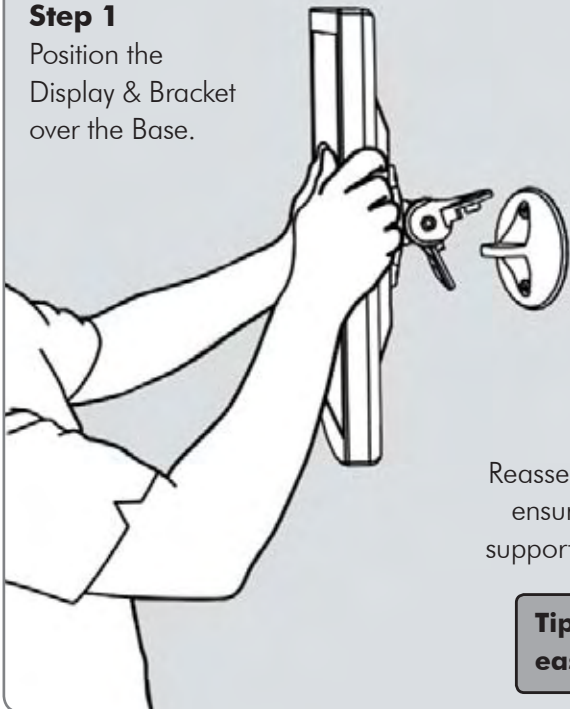
OR



E Attach Display to Wall

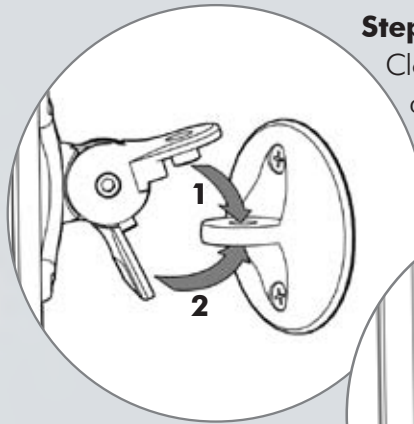
Step 1

Position the Display & Bracket over the Base.



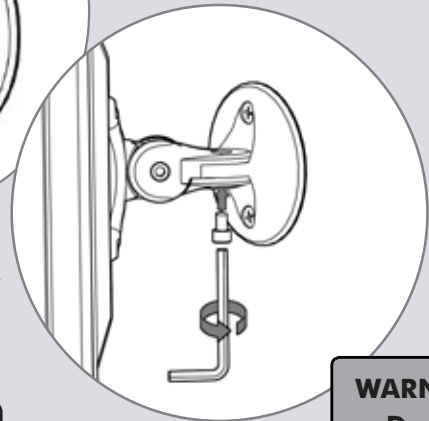
Step 2

Close the two halves of the Bracket around the Base by firstly positioning the top half and then the bottom half.



Step 3

Reassemble the Wall Direct Assembly ensuring the weight of the display is supported until the screw is tightened.



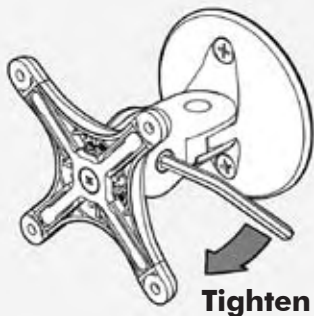
Tip: This step can be made easier by using two people.

WARNING: Do not overtighten.

F Adjust Display Position

Step 1

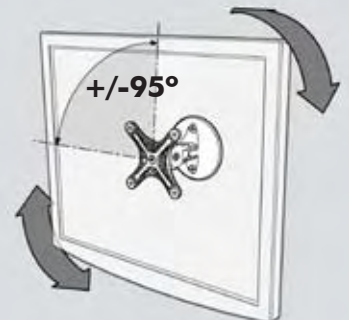
Adjust the display to the desired viewing angle then lock it in place by tightening the tilt screw in the direction shown.



WARNING: Do not overtighten.

Step 2

Adjust the display's position between landscape and portrait. The display can rotate through $\pm 95^\circ$.



NOTE: Screen does not rotate 360°

